

Outfeed Support

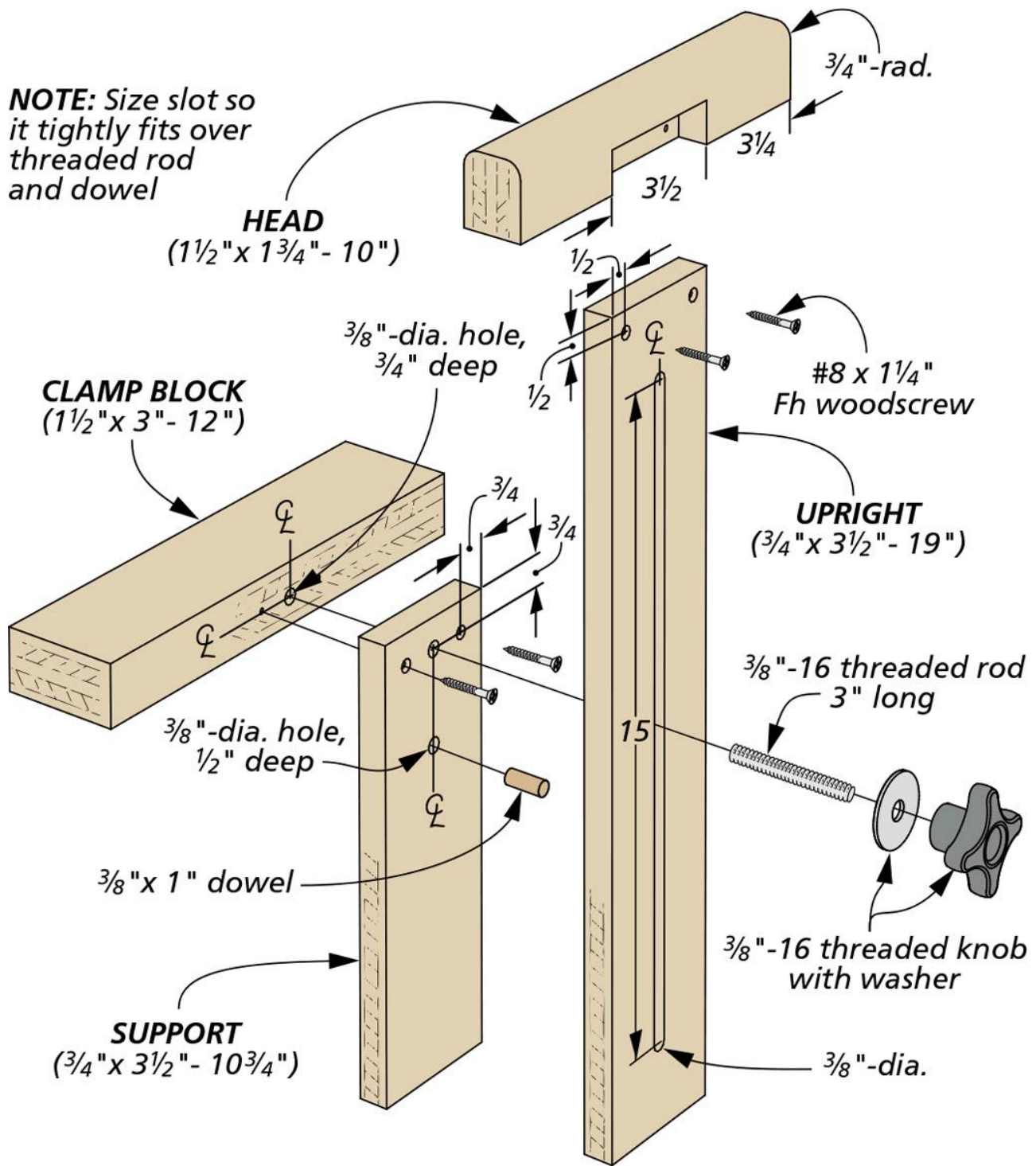
By: Erich Lage & Logan Wittmer

For Long Rips this Addition to your Sawhorse can't be Beat



Outfeed support is nice to have on a table saw. I often use one that clamps to the rear rail of the table saw. However, on a recent playhouse build, I needed an outfeed support that was further away from the saw. So, I came up with this support that clamps on a sawhorse.

NOTE: Size slot so it tightly fits over threaded rod and dowel



Simple Form. The support has a clamping block that's glued and screwed together. To allow for easy adjustment, there's a groove in the support allowing you to lock it in place with a piece of threaded rod and a knob. The head has a large roundover so workpieces slide onto it easily. A notch in it fits over the upright, and it's screwed in place. After clamping the support on a sawhorse, I can adjust the head height with the threaded knob and make my cuts.

Published: May 30, 2024

Topics: None